



■ Features

- Compliant with IEC 62386-303 regulation
- Detection range 6M
- Compatible with any DALI-2 lighting system
- Powered by DALI Bus
- Configurable functionality via MEAN WELL DLC-02 software customized Event Control & Delay Time Settings
- 2 years warranty

■ Applications

- Building automation
- Department store
- Office lighting
- Warehouse/Parking lot lighting
- Villa lighting
- Public lighting
- Smart home

■ GTIN CODE

MW Search: <https://www.meanwell.com/serviceGTIN.aspx>

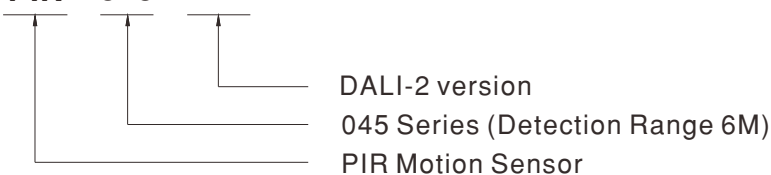
■ Description

PIR-045-DA2 is an input device that complies with IEC62386 Part 303 DALI-2 certification standard. It is used as a sensor for human presence detection that can be powered and installed via the DALI bus. Additionally, when paired with MEAN WELL DLC-02 software, it enables comprehensive function configurations, facilitating the utilization of DALI-2 digital lighting applications to deliver energy efficiency, intelligent control, and other features.

When human movement is detected within the sensor coverage area, the scene will be triggered to be output to the DALI-2 controller and activated the preset lighting scene, such as lamp ON/OFF, brightness, color temperature and events, etc. The PIR-045-DA2 sensor can be configured through the MEAN WELL DLC-02 software for single-point area detection or array area applications. The detection range can be set based on user needs.

■ Model Encoding

PIR - 045 - DA2

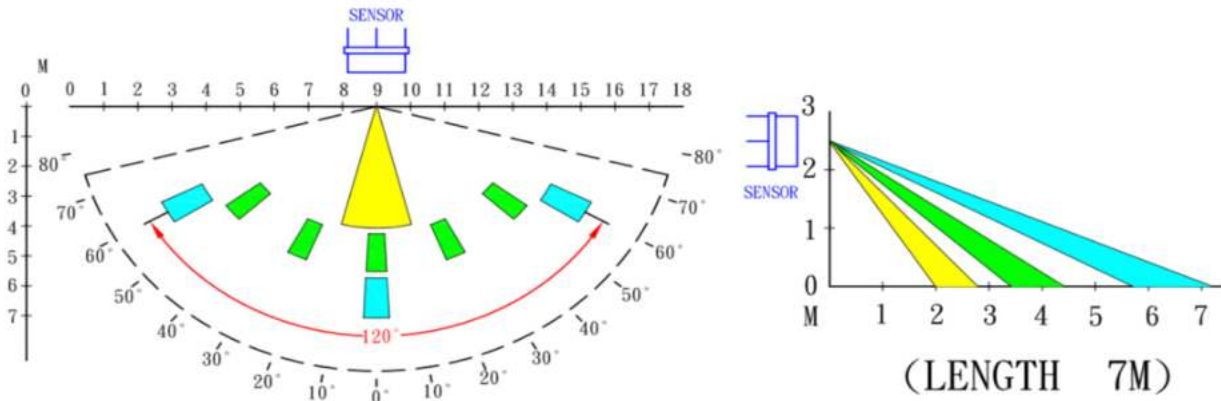


Type	Functions	Remark
DA2	DALI-2 Part 303 Occupancy Sensor Standard	In Stock

**Specification**

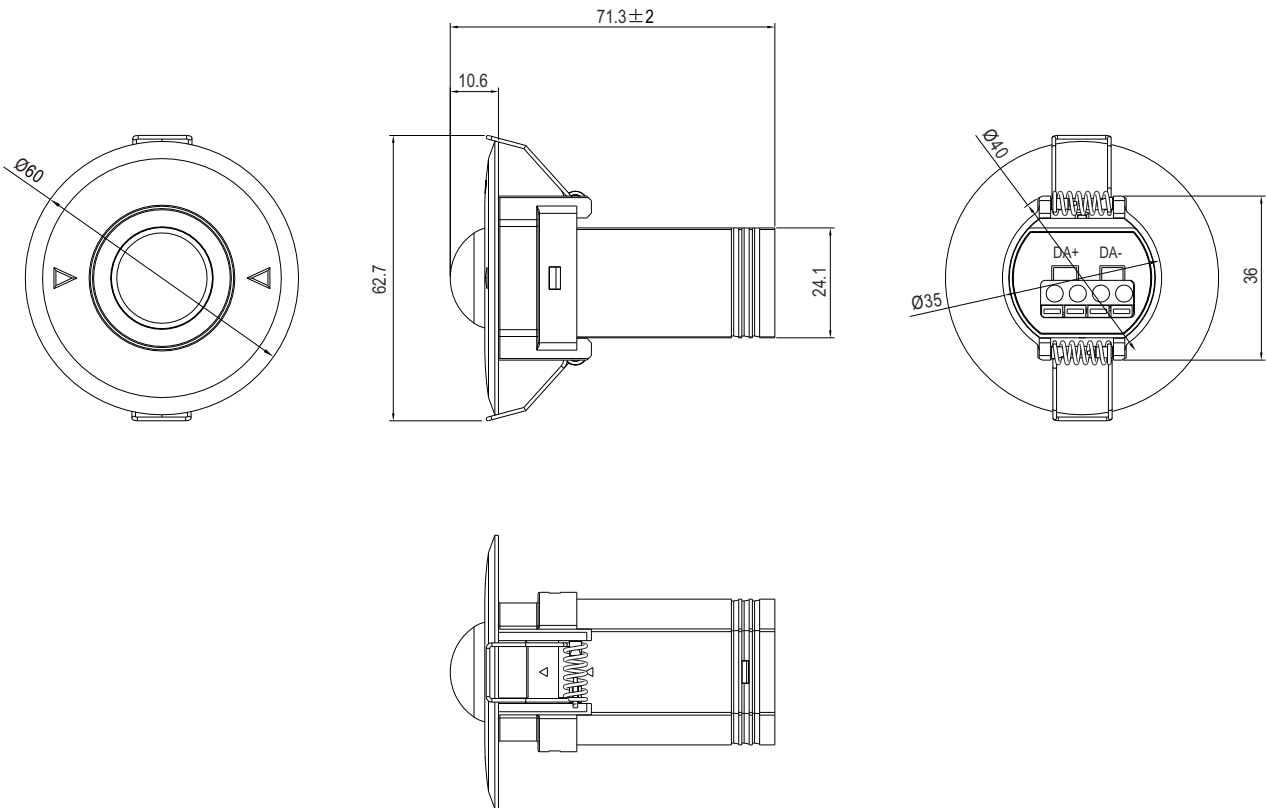
Model		PIR-045-DA2
Input / Output	DALI Bus (Input Range)	Powered by DALI bus (9.5V~22.5V DC according to IEC62386 Part 101)
	Current Consumption	< 10mA at 16Vdc (Max.)
	Signal	DALI-2 Signal
	Detection Range	≥ 6M
	Detection Angle	120°
Function	DALI Standard	Meet DALI standard IEC62386-Part 101、103、303
	Event Control	Support Part 303 with Brightness, Color Temperature, Scenes Control
	Delay Time Settings	Support Part 303 for Hold Time、Report Time、Dead Time Settings
	Software Settings	Via MW DLC-02 software
Environment	Operating Temperature	-10 ~ +45°C
	Operating Humidity	35 ~ 85% RH
	Storage Temperature & Humidity	-25 ~ +70°C, 10 ~ 95% RH
Safety & EMC	Standard	IEC62386-101、103、303; BS EN/EN 61347-1/2-11
	Withstand Voltage	3000VAC
	EMC	BS EN/EN 55015 / 61547; FCC Part 15
Others	Wire size	0.5~1.5 mm ² (AWG 20~16)
	Size	Ø60 * 71.3 mm (D*H) (Cutting hole 5cm)
	Packing / Weight	81g ; 160 PCS / 14.13 Kg
	Material	ABS+PC(White)
Remark	1.MEAN WELL DLC-02 controller, each channel can be connected up to 16 input devices but the maximum number of input devices that can be connected is determined by the connected DALI bus power and operating current of the input device. For example, when 64 (lamp) LED drivers (2mA) are connected, the maximum remaining applicable current on the DALI bus is 250mA - (2mA x 64) = 122mA. If the current requirement of the input device is 10mA, then up to 12 input devices can be connected, DLC-02 manual, please refer https://www.meanwell.com/Upload/PDF/DLC-02-E.pdf 2.RCM is on a voluntary basis.	

■ PIR-045-DA2 Detection Range: $\geq 6M$

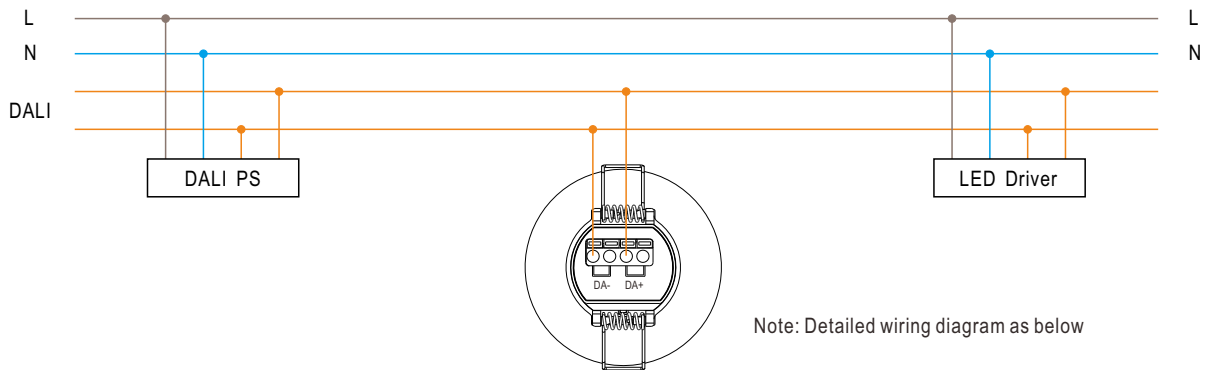


■ Mechanical Specification

Unit:mm

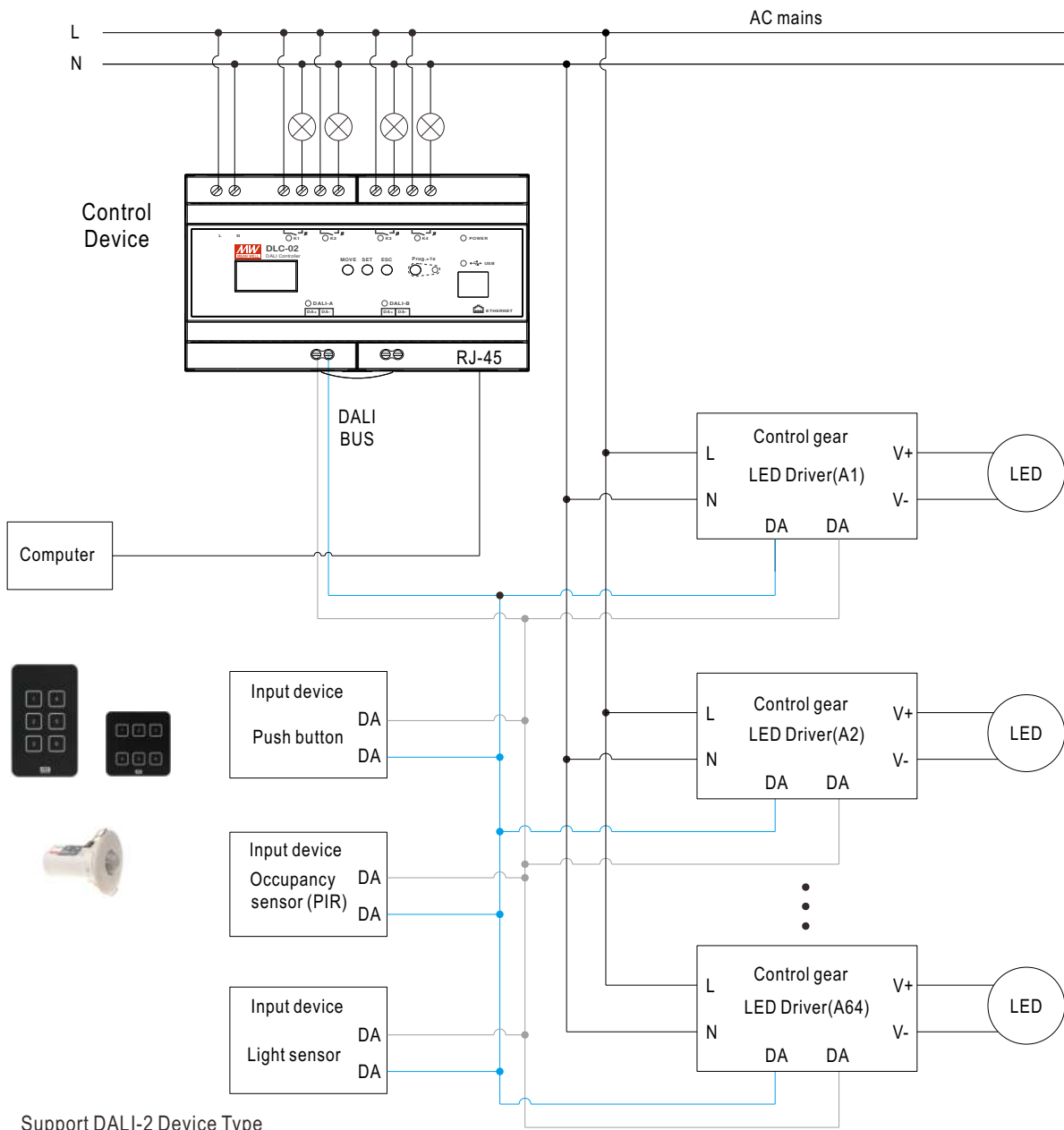


■ Powered by DALI Bus Wiring Diagram



Note: Detailed wiring diagram as below

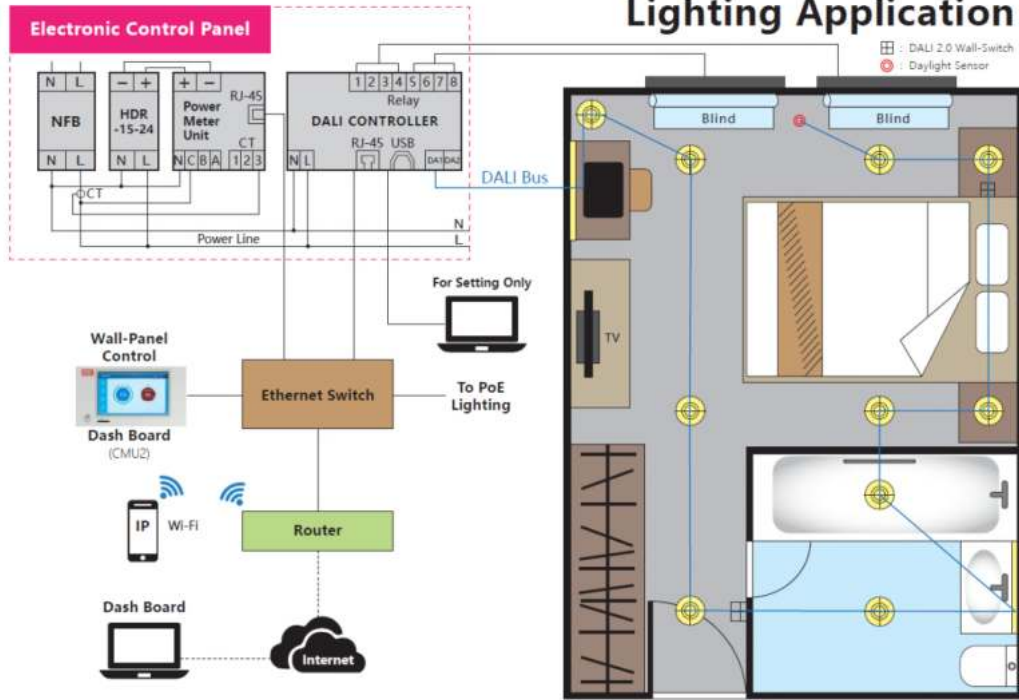
■ Wiring Diagram of DALI Digital Lighting Application (Built-in MEAN WELL DLC-02 with DALI power)



Support DALI-2 Device Type

■ DALI digital lighting application

Hotel Room Lighting Application



Office Lighting Application

