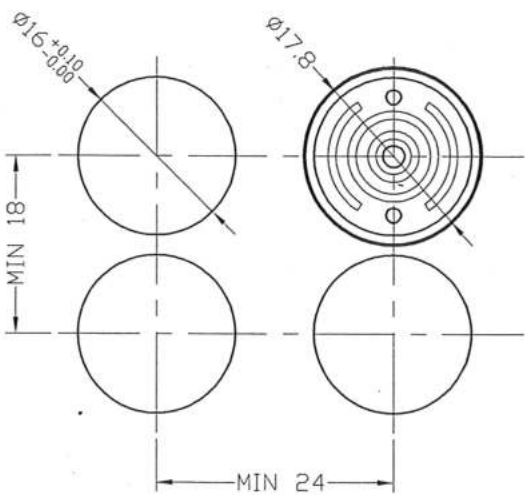
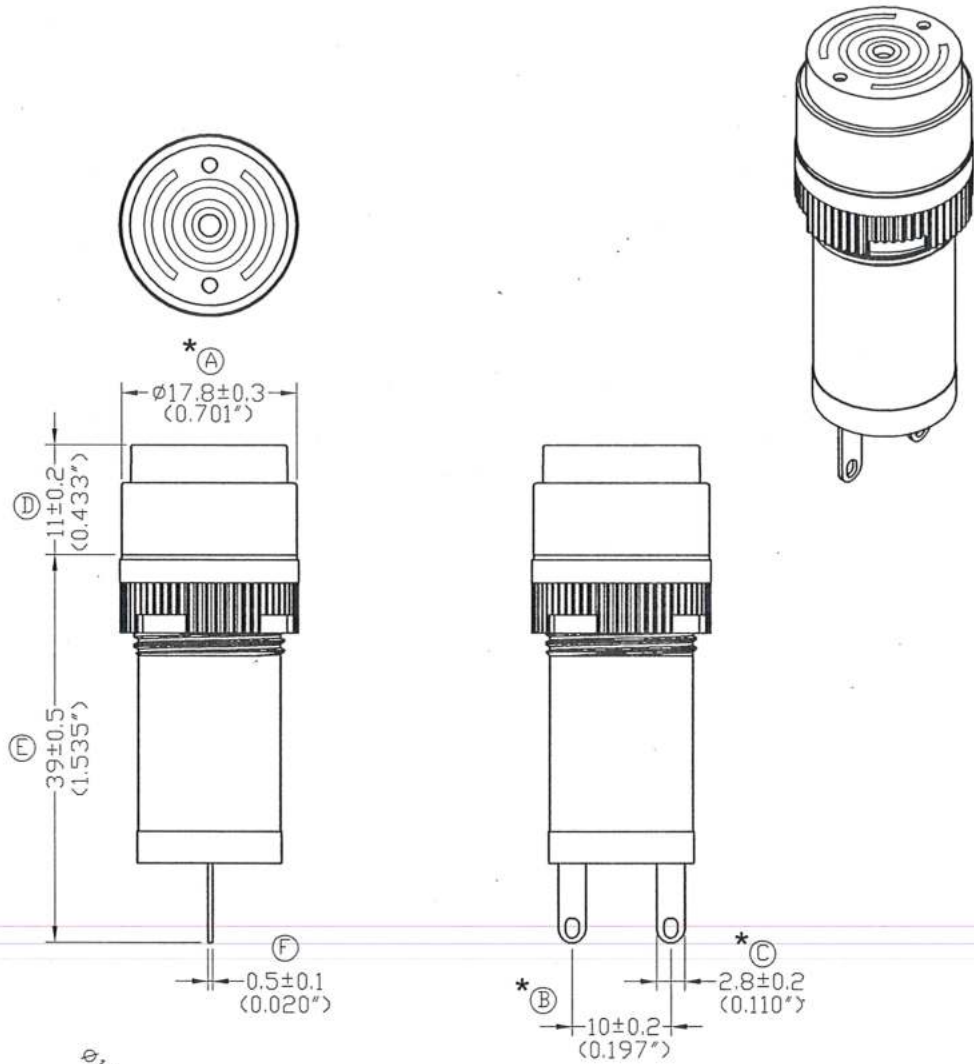


# ADP16B4-0R0-0140



文件管制  
JUL 26. 2012  
文管中心

Current rating : 3Amp DC12~24V  
 Operation temperature : -25°C to +55°C  
 Electrical lifetime : 1000hr  
 Sound pressure : 80db  
 Terminal : soldering type / plug-in type  
 Wire range : 1x1.5mm<sup>2</sup> max.  
 Cable range : 2x0.75mm<sup>2</sup> / 1x1.0mm<sup>2</sup> max.  
 Voice : Continuous tone

DECA SwitchLab INC.

PART NO.	ADP16B4-0R0-0140				VERSION	C	CONFIRMED BY	Woodomki
SHEET OF	2/2	METRIC	MM	DRAWN BY	Tom	DATE	2012/07/26	GENERAL MANAGER