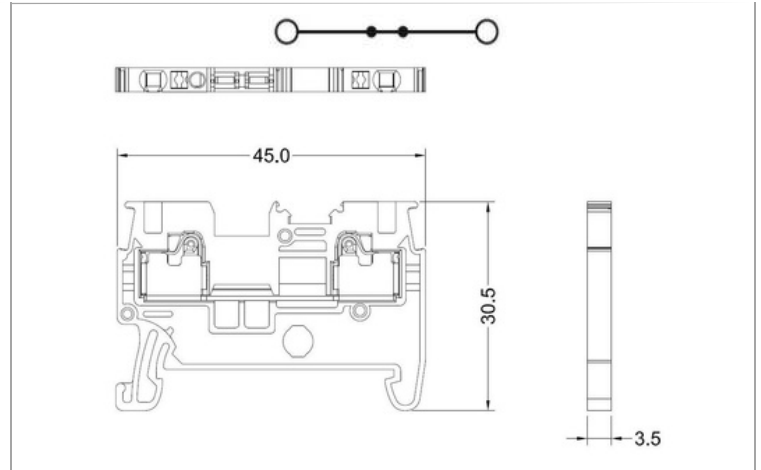
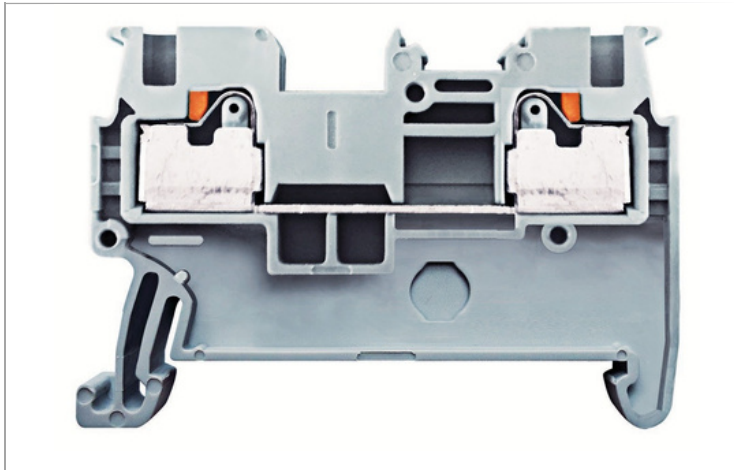




# DPT1.5

PUSH IN

RoHS  
Compliant



## Product Description

### Standards and Regulations

IEC Connection data (60947-7-1)	CE
Nominal voltage UN	500V
Nominal current IN	17.5A
mm <sup>2</sup> /AWG/kcmil	0.14 ~1.5

### UL Recognized

<b>B</b>	
Nominal voltage UN	300V
Nominal current IN	15A
mm <sup>2</sup> /AWG/kcmil	26~14
<b>C</b>	
Nominal voltage UN	300V
Nominal current IN	15A
mm <sup>2</sup> /AWG/kcmil	26~14
<b>D</b>	
Nominal voltage UN	600V
Nominal current IN	5A
mm <sup>2</sup> /AWG/kcmil	26~14

### cUL Recognized


<b>B</b>	
Nominal voltage UN	300V
Nominal current IN	15A
mm <sup>2</sup> /AWG/kcmil	26~14
<b>C</b>	
Nominal voltage UN	300V
Nominal current IN	15A
mm <sup>2</sup> /AWG/kcmil	26~14
<b>D</b>	
Nominal voltage UN	600V
Nominal current IN	5A
mm <sup>2</sup> /AWG/kcmil	26~14



## Key Commercial Data

Packing unit	1 PCS
MOQ Minimum order quantity	50PCS
Weight per Piece (excluding packing)	3.33g
Country of origin	CN

## Material information

Insulating material	PA66
UL 94 Flammability rating according to UL	V0
Colour	
Continuous operating temp., max.	105 °C
Continuous operating temp., min.	-40 °C

## Dimensions

Width	45.0mm
Length	3.5mm
Height	30.5mm
Height NS 35/7,5	32mm
Height NS 35/15	39.5mm

## General information

Number of connections	2
Potentials	1
Nominal cross section	3.5mm
Installation Advice	Rail Mounting
Area of application	
Type of mounting	TS35/7.5
Rated surge voltage	TS35/15
Degree of pollution	6 Kv
Overvoltage category	3
Insulating material group	III
Maximum power dissipation for nominal	I
Maximum load current	0.56W
Open side panel	17.5A
Back of the hand protection	yes
Finger protection	guaranteed



## Connection data

Connection	1
Connection method	Push in
Stripping length	8~10mm
For the wire end ferrules H1/10 and H1.5/10 of stripping length is to apply.	12mm
Solid conductor(mm <sup>2</sup> )	0.14 mm <sup>2</sup> ~1.5mm <sup>2</sup>
Solid conductor (AWG)	24~14AWG
Fine-stranded conductor(mm <sup>2</sup> )	0.14 mm <sup>2</sup> ~1.5 mm <sup>2</sup>
Fine-stranded conductor (AWG)	26~14AWG
Wire connection cross-section, stranded conductor with wire-end ferrules DIN 46228/1	0.5 mm <sup>2</sup> ~1.5 mm <sup>2</sup>
Wire connection cross-section, stranded conductor with wire-end ferrules DIN 46228/4	0.14 mm <sup>2</sup> ~1.5 mm <sup>2</sup>
Blade size	0.4 x2.0mm