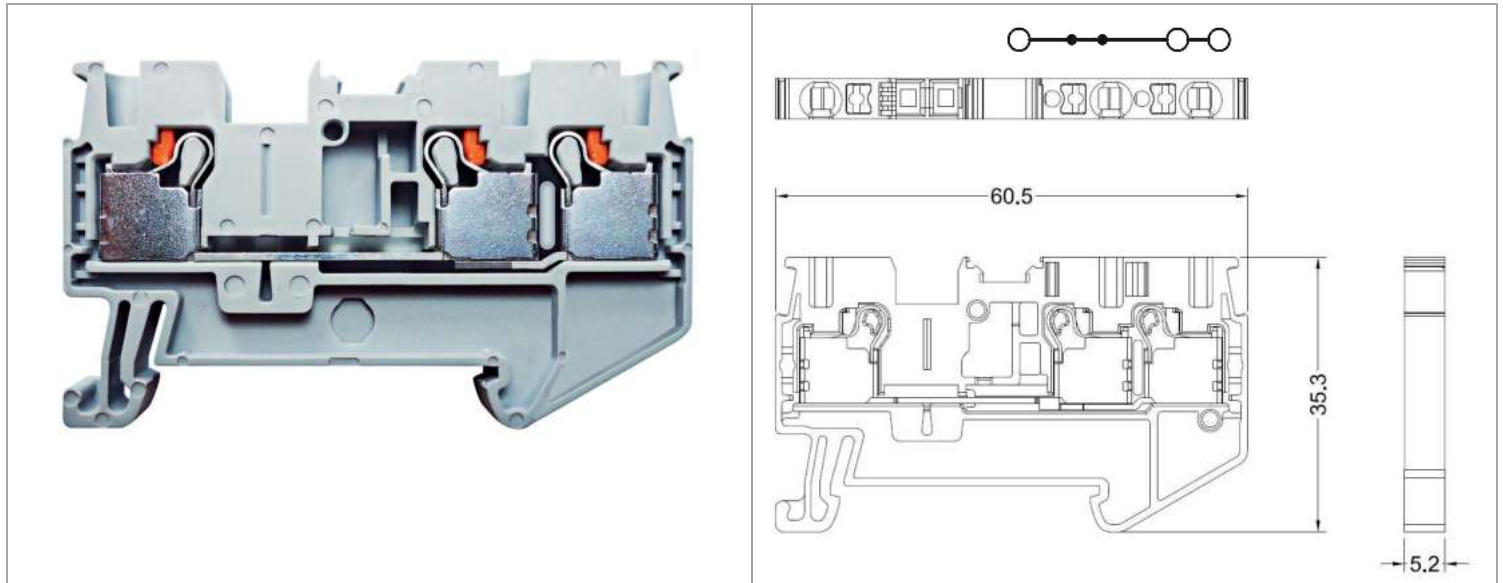


DPT2.5/3

端子台 > Push-in軌道式接線端子台



目錄僅供參考，實際規格仍依照產品工程圖面為準

產品介紹 Product Description

標準法規 Standards and Regulations

IEC認證參數 IEC Connection data (60947-7-1)

| | |
|----------------------------|-----------|
| 額定電壓Nominal voltage UN | 800V |
| 額定電流Nominal current IN | 24A |
| mm ² /AWG/kcmil | 0.14 ~2.5 |

UL認證參數UL Recognized

| | |
|----------------------------|-------|
| B | |
| 額定電壓Nominal voltage UN | 600V |
| 額定電流Nominal current IN | 20A |
| mm ² /AWG/kcmil | 26~12 |
| C | |
| 額定電壓Nominal voltage UN | 600V |
| 額定電流Nominal current IN | 20A |
| mm ² /AWG/kcmil | 26~12 |

cUL認證參數cUL Recognized


| | |
|----------------------------|-------|
| B | |
| 額定電壓Nominal voltage UN | 600V |
| 額定電流Nominal current IN | 20A |
| mm ² /AWG/kcmil | 26~12 |
| C | |
| 額定電壓Nominal voltage UN | 600 |
| 額定電流Nominal current IN | 20 |
| mm ² /AWG/kcmil | 26~12 |

商務資料 Key Commercial Data

| | |
|-------------------|-------|
| 包裝單位 Packing unit | 1 PCS |
|-------------------|-------|

| | |
|---|-------|
| MOQ Minimum order quantity | 50PCS |
| 條碼GTIN | |
| 產品重量 Weight per Piece (excluding packing) | 8.80g |
| 訂貨碼 Custom tariff number | |
| 原產地Country of origin | CN |

材料資訊 Material information

| | |
|--|---|
| 絕緣材料Insulating material | PA66 |
| 符合UL 94的可燃性等級 Flammability rating according to UL 94 | V0 |
| 產品顏色 Color |  |
| 最大工作溫度°C Continuous operating temp., max. | 105°C |
| 最小工作溫度°C Continuous operating temp., min. | -40°C |

外型尺寸 Dimensions

| | |
|---------------------|--------|
| 寬度 Width | 60.5mm |
| 長度 Length | 5.2mm |
| 高度 Height | 35.3mm |
| 高度 Height NS 35/7,5 | 36.8mm |
| 高度 Height NS 35/15 | 44.3mm |

一般資訊 General information

| | |
|--|---------------------|
| 產品連接數 Number of connections | 3 |
| 產品電位 Potentials | 1 |
| 標籤寬度 Nominal cross section | 5.2mm |
| 安裝指導 Installation Advice | Rail Mounting(導軌安裝) |
| 應用領域 Area of application | 鐵路行業 |
| | 機械製造 |
| | 工廠工程 |
| 軌道條 Type of mounting | TS35/7.5 |
| | TS35/15 |
| 額定浪湧電壓 Rated surge voltage | 8 Kv |
| 汙染程度 Degree of pollution | 3 |
| 過電壓類別 Overvoltage category | III |
| 絕緣材料組 Insulating material group | I |
| 額定條件下的最大功耗 Maximum power dissipation for nominal condition | 0.77W |
| 最大負載電流 Maximum load current | 24A |
| 側邊為開放式 Open side panel | Yes |
| 手背防護 Back of the hand protection | guaranteed |
| 手指保護 Finger protection | guaranteed |

連接數據 Connection data

| | |
|--|--|
| 連接 Connection | 1 |
| 連接方式 Connection method | Push in |
| 撥線長度 Stripping length | 8~10mm |
| 針對管狀端頭 H1/10 和 H1.5/10 須應用的剝線長度 For the wire end ferrules H1/10 and H1.5/10 of stripping length is to apply. | 12mm |
| 單芯導線 Solid conductor(mm ²) | 0.14 mm ² ~2.5mm ² |
| 單芯導線 Solid conductor (AWG) | 26~12AWG |
| 細多芯導線 Fine-stranded conductor(mm ²) | 0.14 mm ² ~2.5mm ² |

| | |
|--|---|
| 細多芯導線 Fine-stranded conductor (AWG) | 26~12AWG |
| 導線連接截面積，多股導線，帶管狀端頭 DIN 46228/1 Wire connection cross-section, stranded conductor with wire-end ferrules DIN 46228/1 | 0.5 mm ² ~2.5 mm ² |
| 導線連接截面積，多股導線，帶管狀端頭 DIN 46228/4 Wire connection cross-section, stranded conductor with wire-end ferrules DIN 46228/4 | 0.14 mm ² ~2.5 mm ² |
| 螺絲刀口尺寸 Blade size | 0.4 x 3.5mm |

環保產品合規 Environmental Product Compliance

| | |
|--------------------------|--|
| China RoHS | |
| RoHS Compliant | |