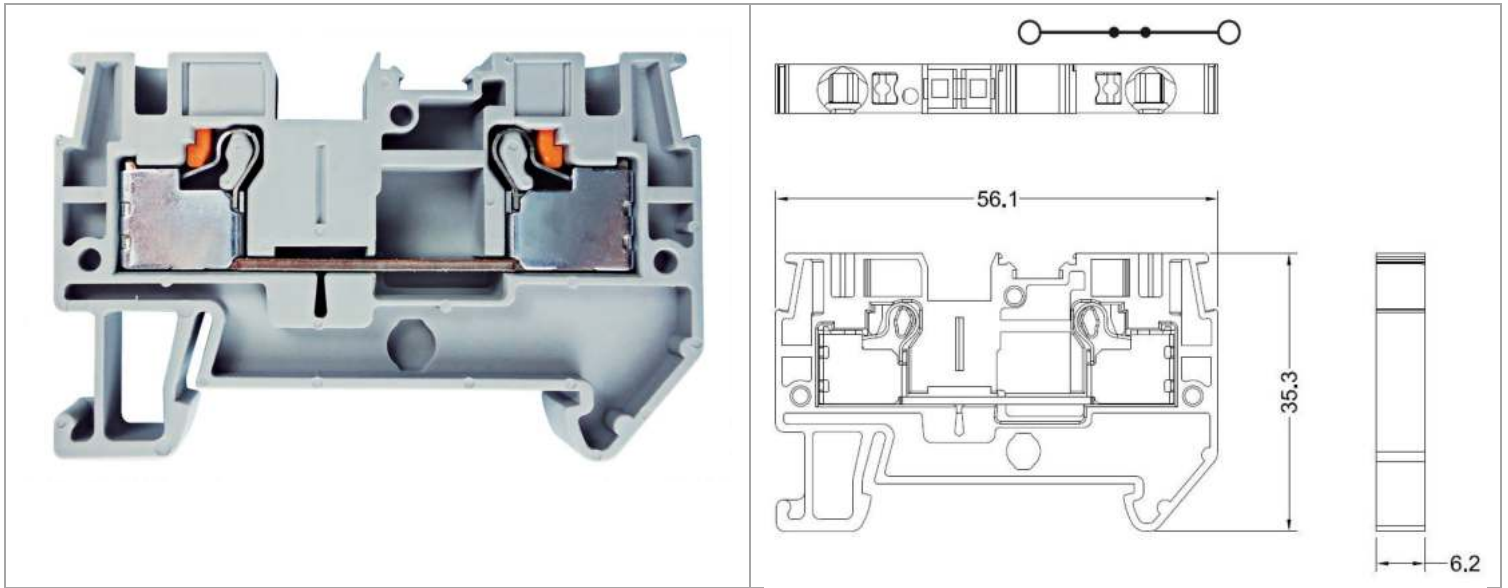


## DPT4

端子台 > Push-in軌道式接線端子台



目錄僅供參考，實際規格仍依照產品工程圖面為準

### 產品介紹 Product Description

### 標準法規 Standards and Regulations

#### IEC認證參數 IEC Connection data (60947-7-1)

額定電壓Nominal voltage UN	800V
額定電流Nominal current IN	32A
mm <sup>2</sup> /AWG/kcmil	0.14 ~4.0

#### UL認證參數UL Recognized

<b>B</b>	
額定電壓Nominal voltage UN	600V
額定電流Nominal current IN	30A
mm <sup>2</sup> /AWG/kcmil	24~10
<b>C</b>	
額定電壓Nominal voltage UN	600V
額定電流Nominal current IN	30A
mm <sup>2</sup> /AWG/kcmil	24~10


#### cUL認證參數cUL Recognized

<b>B</b>	
額定電壓Nominal voltage UN	600V
額定電流Nominal current IN	30A
mm <sup>2</sup> /AWG/kcmil	24~10
<b>C</b>	
額定電壓Nominal voltage UN	600V
額定電流Nominal current IN	30A
mm <sup>2</sup> /AWG/kcmil	24~10

### 商務資料 Key Commercial Data

包裝單位 Packing unit	1 PCS
MOQ Minimum order quantity	50PCS
條碼GTIN	
產品重量 Weight per Piece (excluding packing)	8.77g
訂貨碼 Custom tariff number	
原產地Country of origin	CN

## 材料資訊 Material information

絕緣材料Insulating material	PA66
符合UL 94的可燃性等級 Flammability rating according to UL 94	V0
產品顏色 Color	
最大工作溫度°C Continuous operating temp., max.	105°C
最小工作溫度°C Continuous operating temp., min.	-40°C

## 外型尺寸 Dimensions

寬度 Width	56.1mm
長度Length	6.2mm
高度Height	35.3mm
高度Height NS 35/7,5	36.8mm
高度Height NS 35/15	44.3mm

## 一般資訊 General information

產品連接數Number of connections	2
產品電位Potentials	1
標籤寬度Nominal cross section	6.2mm
安裝指導Installation Advice	Rail Mounting(導軌安裝)
應用領域 Area of application	鐵路行業 機械製造 工廠工程
軌道條Type of mounting	TS35/7.5 TS35/15
額定浪湧電壓 Rated surge voltage	8 Kv
汙染程度 Degree of pollution	3
過電壓類別 Overvoltage category	III
絕緣材料組 Insulating material group	I
額定條件下的最大功耗 Maximum power dissipation for nominal condition	1.02W
最大負載電流 Maximum load current	32A
側邊為開放式 Open side panel	Yes
手背防護Back of the hand protection	guaranteed
手指保護 Finger protection	guaranteed

## 連接數據 Connection data

連接 Connection	1
連接方式Connection method	Push in
撥線長度Stripping length	10~12mm
針對管狀端頭H1/10和H1.5/10須應用的剝線長度 For the wire end ferrules H1/10 and H1.5/10 of stripping length is to apply.	14mm
單芯導線 Solid conductor(mm <sup>2</sup> )	0.2 mm <sup>2</sup> ~4.0mm <sup>2</sup>

單芯導線 Solid conductor (AWG)	24~10AWG
細多芯導線 Fine-stranded conductor(mm <sup>2</sup> )	0.2 mm <sup>2</sup> ~4.0mm <sup>2</sup>
細多芯導線 Fine-stranded conductor (AWG)	24~10AWG
導線連接截面積，多股導線，帶管狀端頭 DIN 46228/1 Wire connection cross-section, stranded conductor with wire-end ferrules DIN 46228/1	0.5 mm <sup>2</sup> ~4.0mm <sup>2</sup>
導線連接截面積，多股導線，帶管狀端頭 DIN 46228/4 Wire connection cross-section, stranded conductor with wire-end ferrules DIN 46228/4	0.2 mm <sup>2</sup> ~4.0mm <sup>2</sup>
螺絲刀口尺寸 Blade size	0.4 x 3.5mm

## 環保產品合規 Environmental Product Compliance

China RoHS	
------------	--

**RoHS**  
Compliant