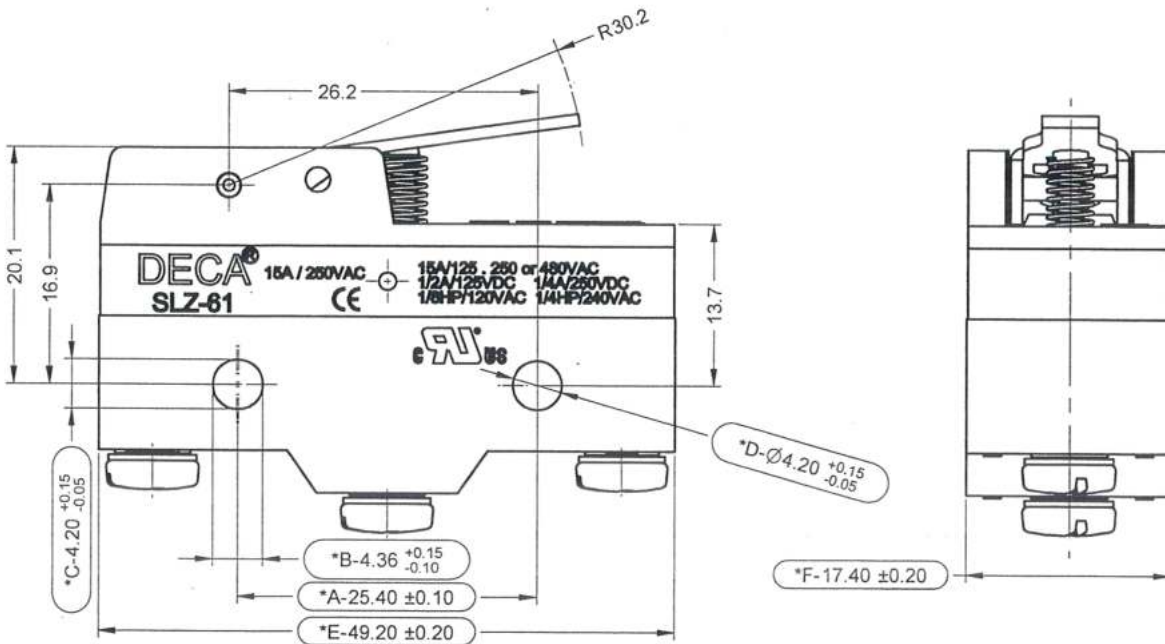
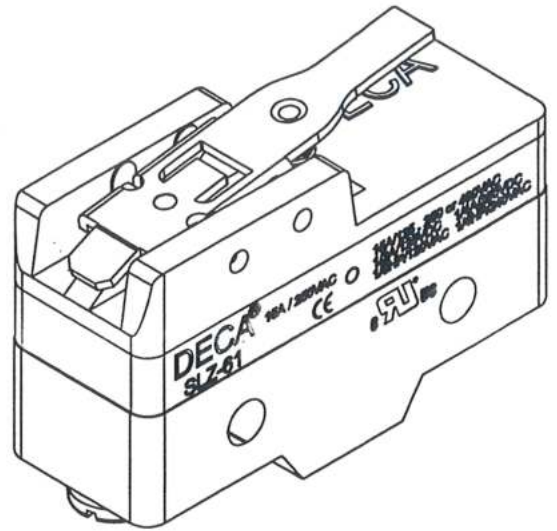
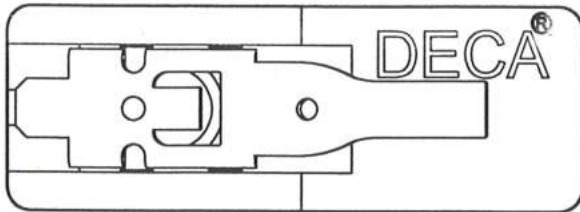


SLZ- 6 1



61 :Standard
SLZ:Type



Degree of protection: IP-00

Ratings: IEC 60947-5-1 250VAC / 10A

UL508 125.250.480 VAC / 15A

0.5A/125 VDC 0.25A/250 VDC

1/8HP/120 VAC 1/4HP/240 VAC

Durability: Mechanical 20,000,000 operations min.

Electrical 500,000 operations min.

Contact resistance: 15mΩ max.

Insulation resistance: 100MΩ min. (at VDC 500)

Dielectric strength: Between terminals of the same polarity

AC1000V 50/60Hz 1min

Between current-carrying metal parts and ground

AC1000V 50/60Hz 1min

Between each terminal and non-current-carrying metal part

AC2000V 50/60Hz 1min

Ambient operating temperature range: -25 to +80°C (with no icing)

Ambient operating humidity: 35% to 85%RH

DECA SwitchLab
SwitchLab Switchlab INC.

文件管制
JAN 19, 2012
文管中心

PART NO.	SLZ-61-Asm				VERSION	A	CONFIRMED BY	<i>[Signature]</i>
SHEET OF	2/2	METRIC	MM	DRAWN BY	Jim	DATE	2012/01/19	GENERAL MANAGER <i>[Signature]</i>

單據編號: QR-0703-08.

版次: A版.